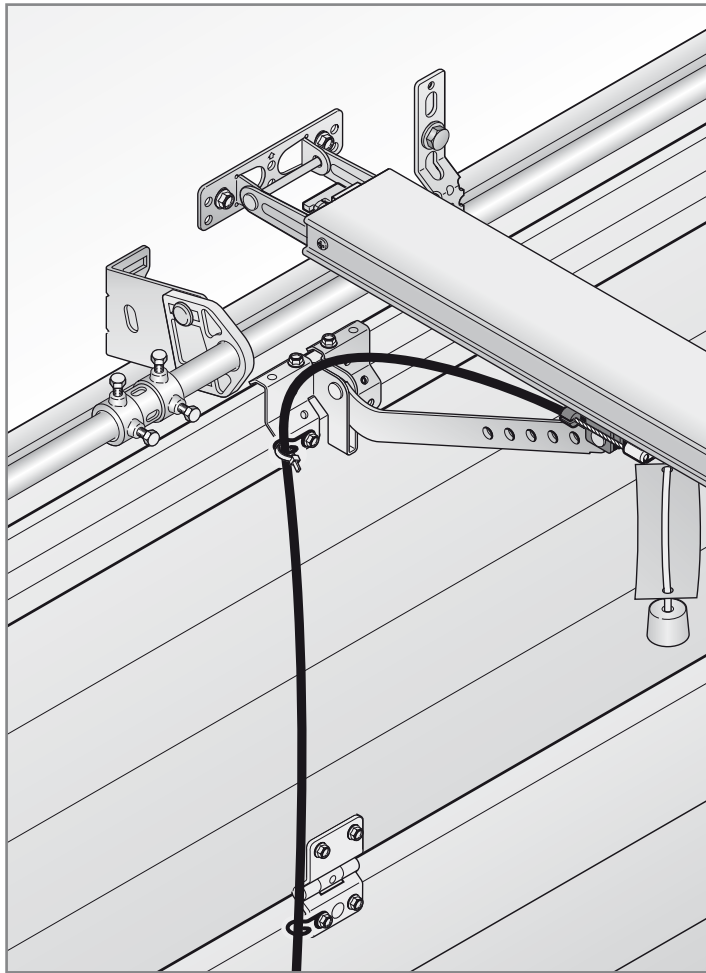


TR30G001-C RE / Stand 09.2011 / Druck 09.2011



**DE**  
**EN**  
**FR**  
**ES**  
**RU**

**Einbauanleitung**

Notentriegelung

**Fitting Instructions**

Emergency Release

**Notice de montage**

Débrayage de secours

**Instrucciones de montaje**

Desbloqueo de emergencia

**Инструкция по монтажу**

Устройство аварийного открывания

**+**

**NL** NEDERLANDS  
**IT** ITALIANO  
**PT** PORTUGUÊS  
**PL** POLSKI  
**HU** MAGYAR  
**CS** ČESKY  
**SL** SLOVENSKO

**NO** NORSK  
**SV** SVENSKA  
**FI** SUOMI  
**DA** DANSK  
**SK** SLOVENSKY  
**TR** TÜRKÇE  
**LT** LIETUVIŲ KALBA

**ET** EESTI  
**LV** LATVIEŠU VALODA  
**HR** HRVATSKI  
**SR** SRPSKI  
**EL** ΕΛΛΗΝΙΚΑ  
**RO** ROMÂNĂ  
**BG** БЪЛГАРСКИ

**Figure 2 - 2.2****Door type: up-and-over doors**

Run Bowden cable from the carriage **A** to door link bracket **B** via the shortest possible route. Select the shortest distance from the carriage to the inside handle **C**.

**Figure 2.3**

If due to the installation situation of the door and operator, e.g. offset lintel **L<sub>S</sub>**, the Bowden cable sleeve proves too short, extend this with a coupling piece **D** and an additional Bowden cable sleeve **E**.

**TIP:**

Set the Bowden cable with adjusting screw and screw nipple free from play!

**Figure 3 - 3.3****Door type: garage doors**

(sectional doors) with lock version in accordance with figure 3.1!

**TIP:**

**Set the Bowden cable with adjusting screw so that angle bracket F fits snugly against lock case G!**

**Figure 4**

**Door type: garage doors (sectional doors) with lock version in accordance with figure 4.1/4.2**

**Figure 4.1****Lock version inside right****Figure 4.2****Lock version inside left****Figure 5**

**Door type: garage door (sectional doors with high-lift track application) with lock version in accordance with figure 4.1**

**Figure 5.1****Lock version inside right**

(see figure 4.1)

**Lock version inside left**

(see figure 4.2)

**Figure 6**

**Door type: industrial doors (sectional doors)**

**7 Shortening the Bowden cable (if necessary):**

With the door open, establish the exact length. Remove end cap from the Bowden cable sleeve, pull out the wire cable far enough and cut through the outer sleeve at the appropriate point. Replace the end cap. Push screw nipple onto the wire cable and shorten remaining length to approx. 50 mm.

**TIP:**

Before shortening the wire cable, wrap round with insulation tape to prevent the cable from splicing.

**8 Check****TIP:**

**Always check from the inside** so that you do not lock yourself out!

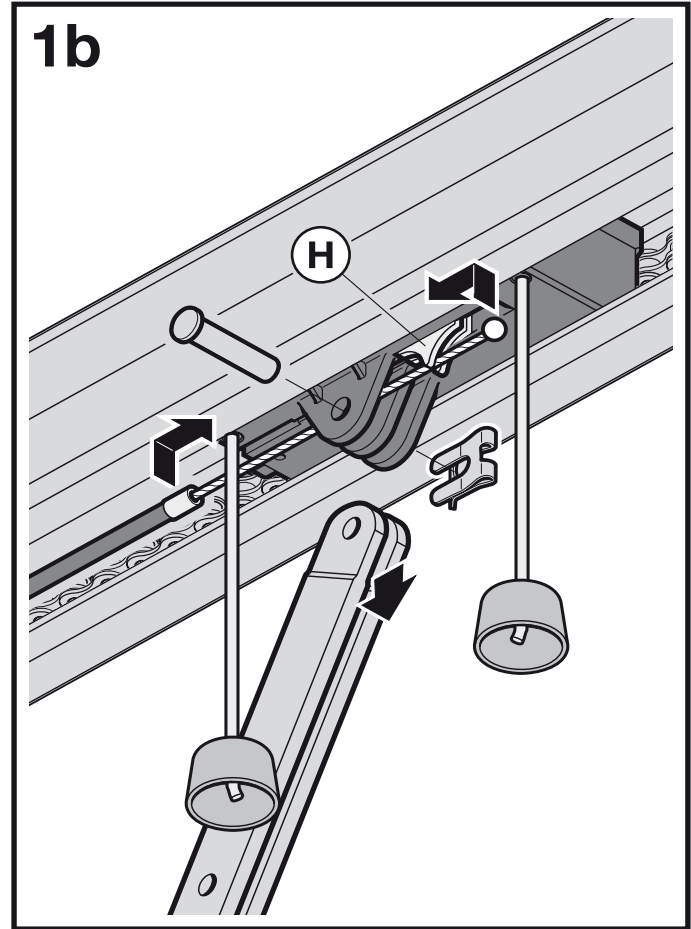
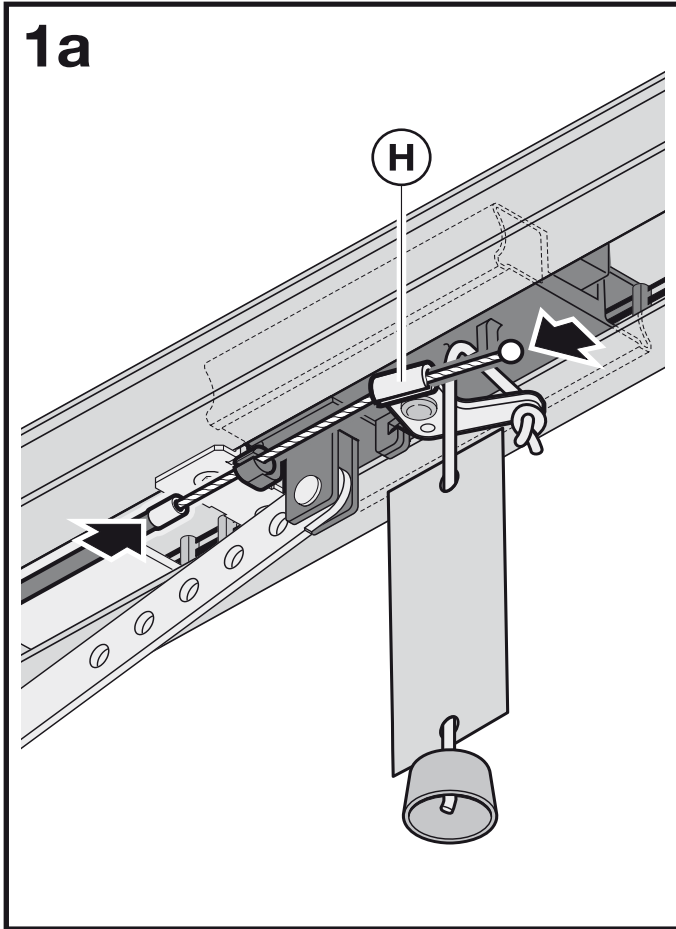
If the emergency release is needed, the door must first be unlocked. After having used the emergency release, make a test run to ensure that the door is again moved by the motor. The bolt, lever or separator slide (position **H** of figures 1a, 1b) must be returned to its rear operating position.

**Relatch the lock!!**

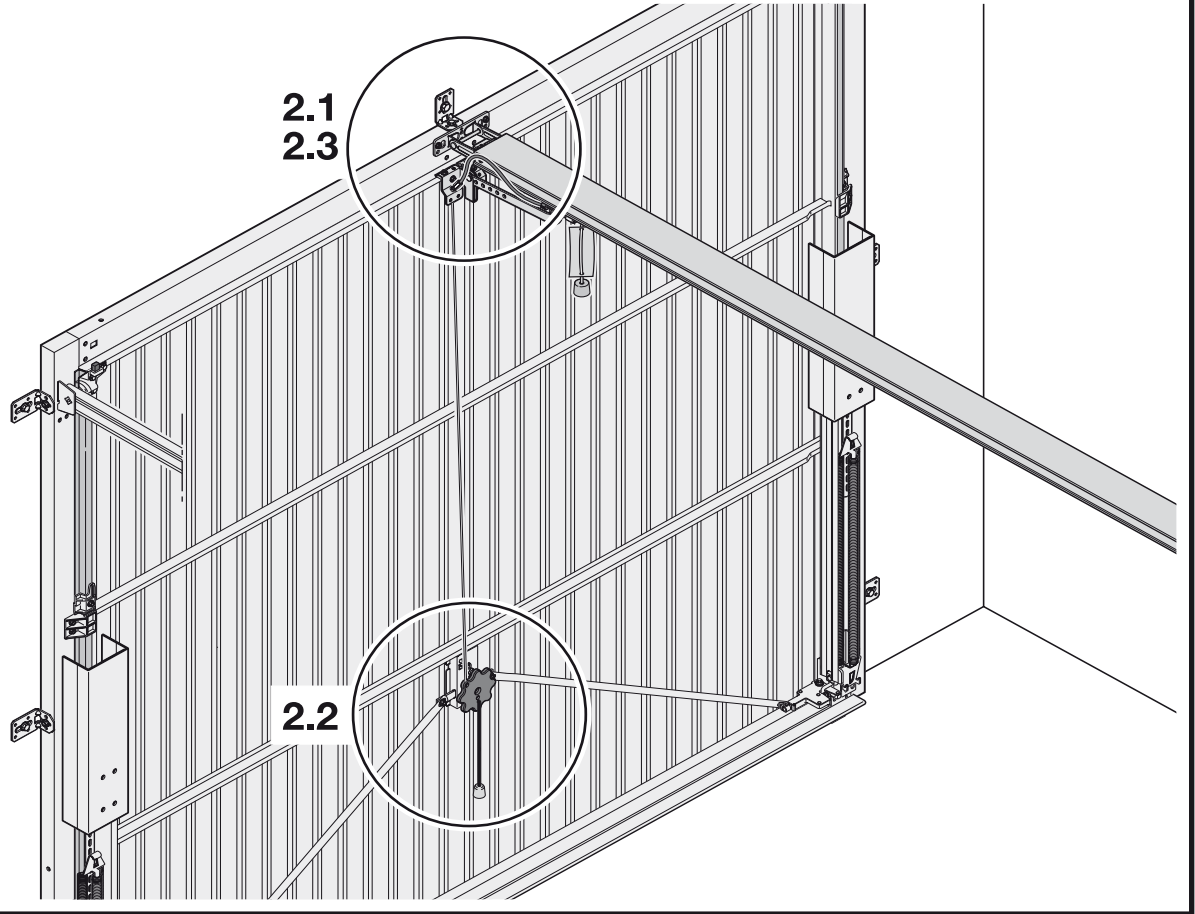
**TIP:**

**Check the function of the emergency release regularly!**

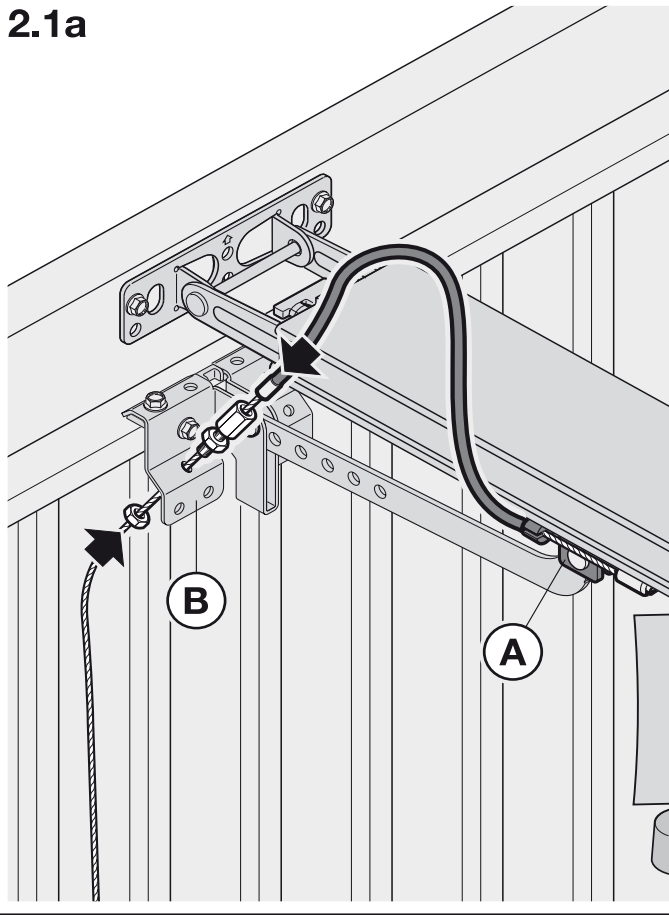
Dissemination as well as duplication of this document and the use and communication of its content are prohibited unless explicitly permitted. Noncompliance will result in damage compensation obligations. All rights reserved in the event of patent, utility model or design model registration. Subject to changes.



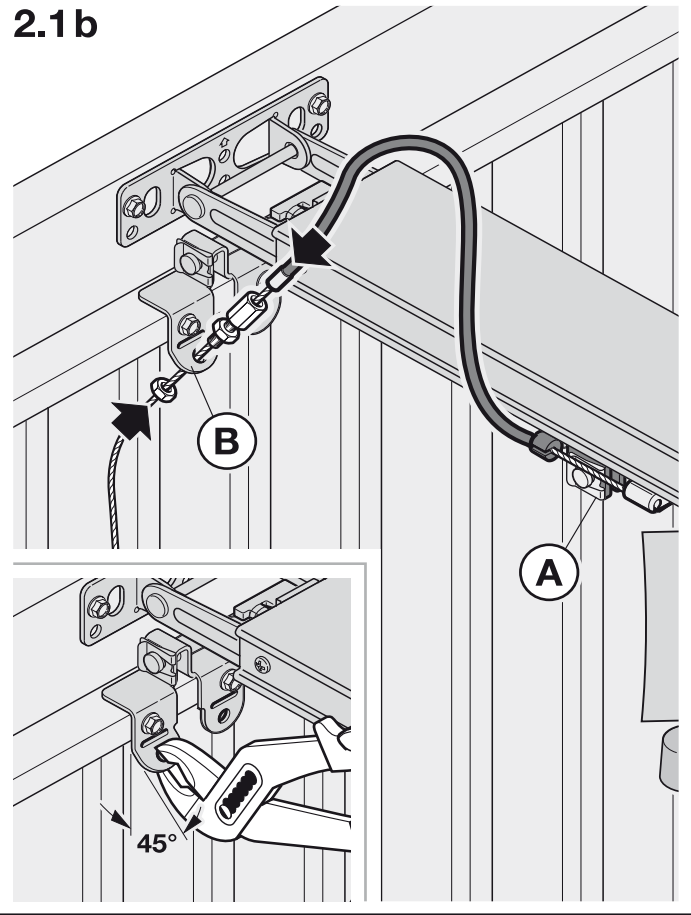
**2**



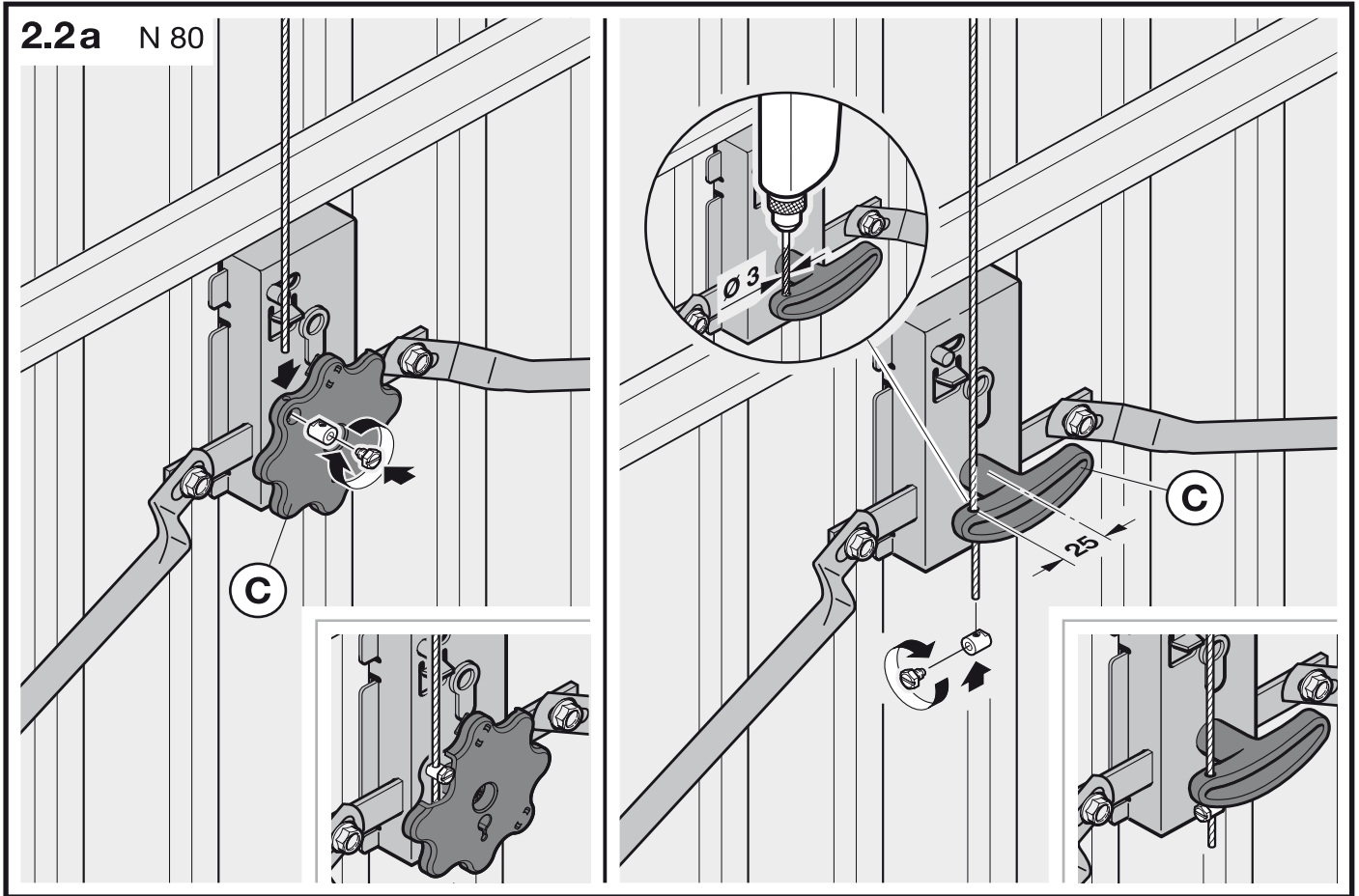
### 2.1a



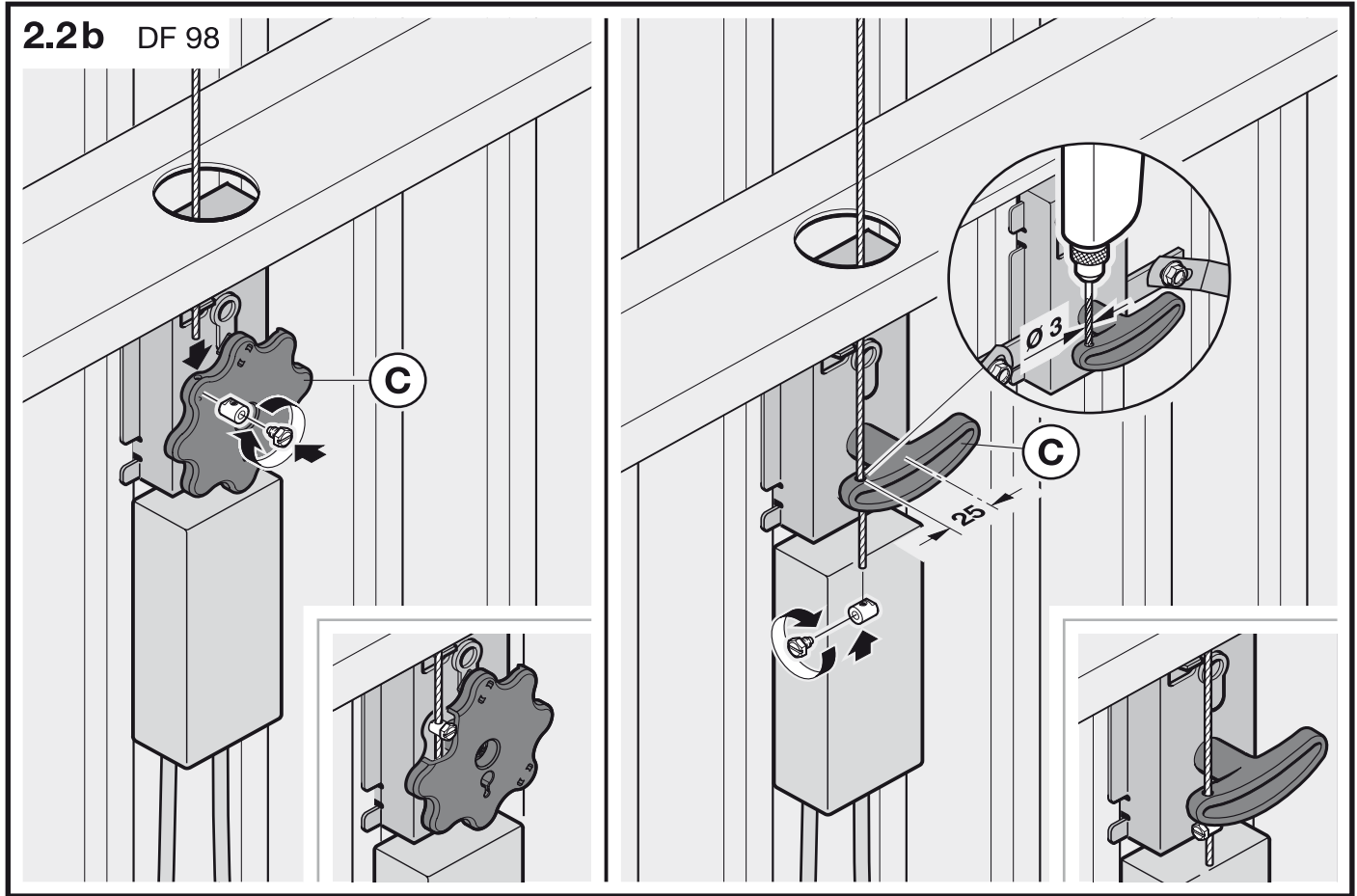
### 2.1b



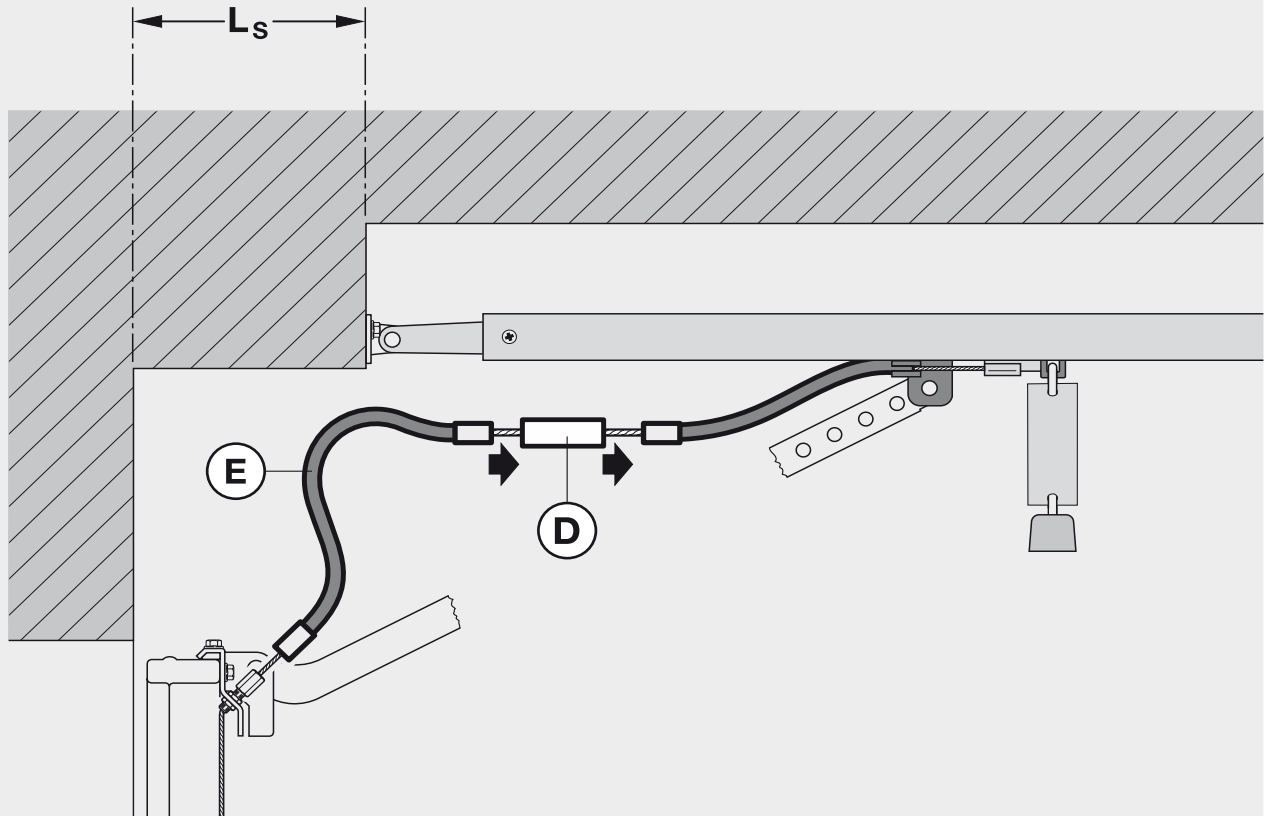
## 2.2a N 80



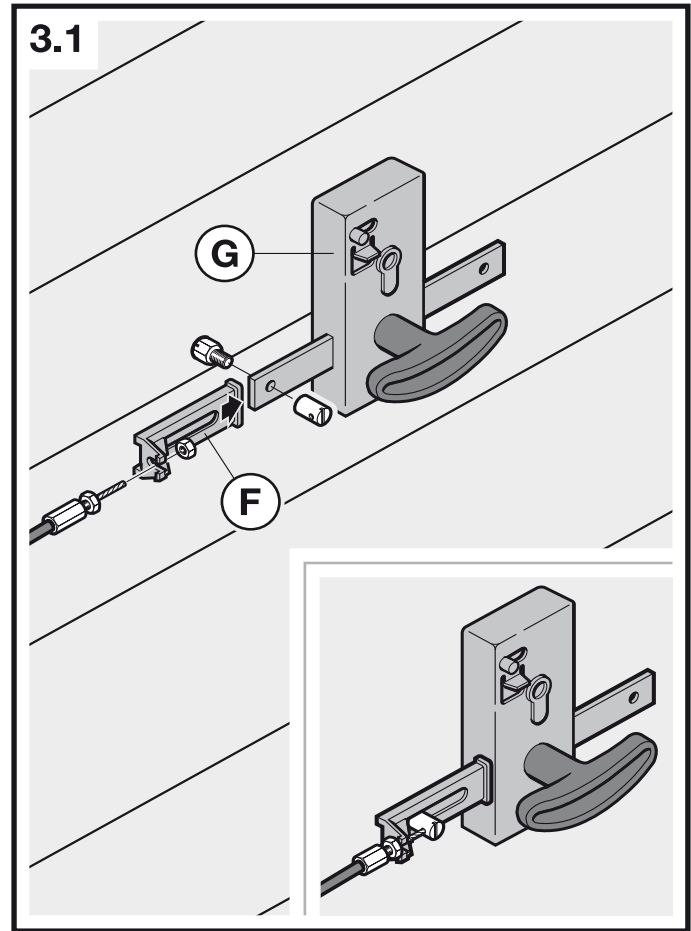
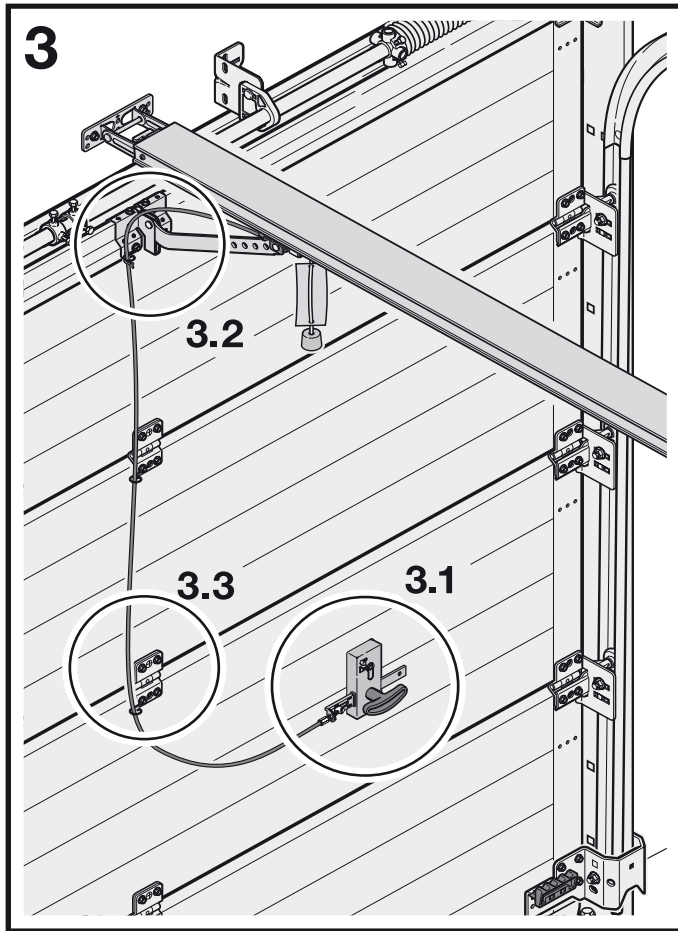
## 2.2b DF 98

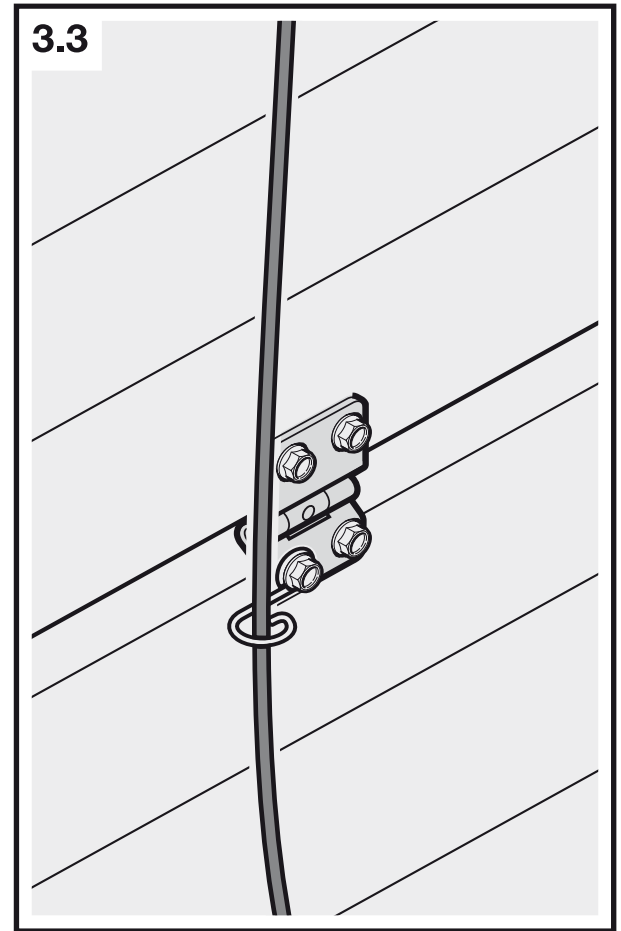
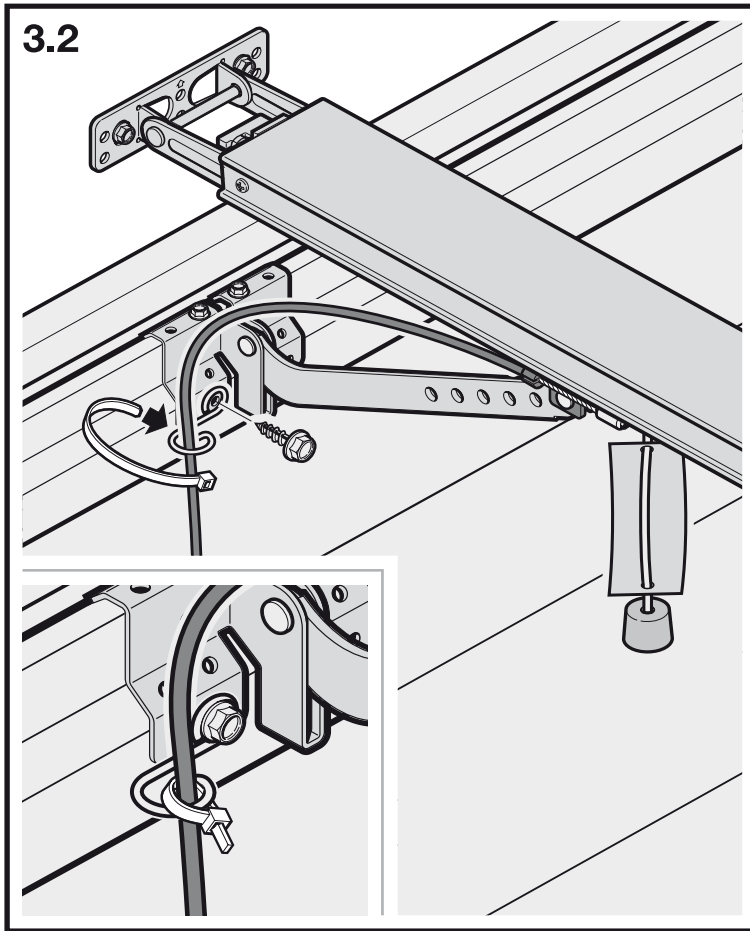


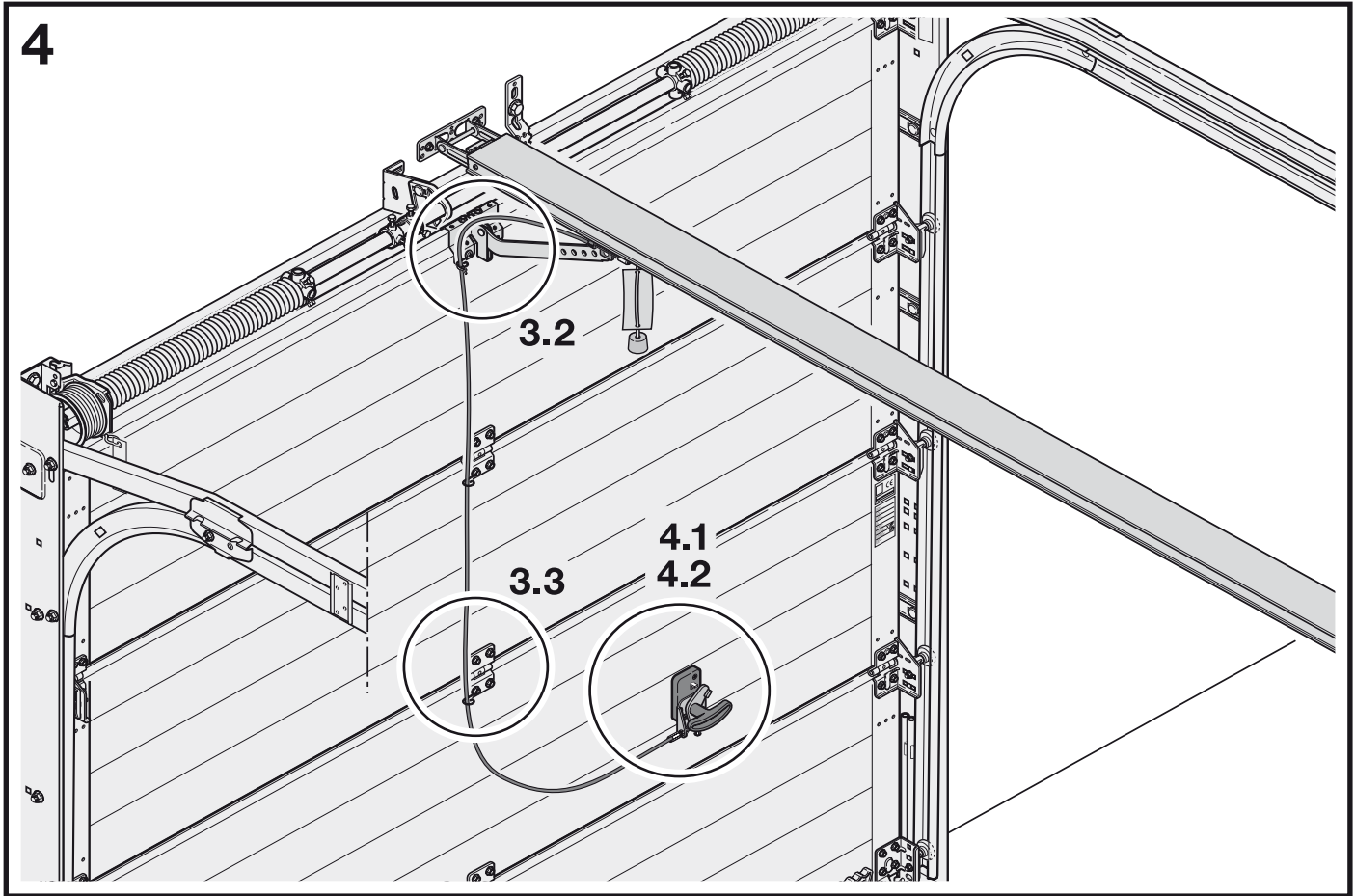
### 2.3

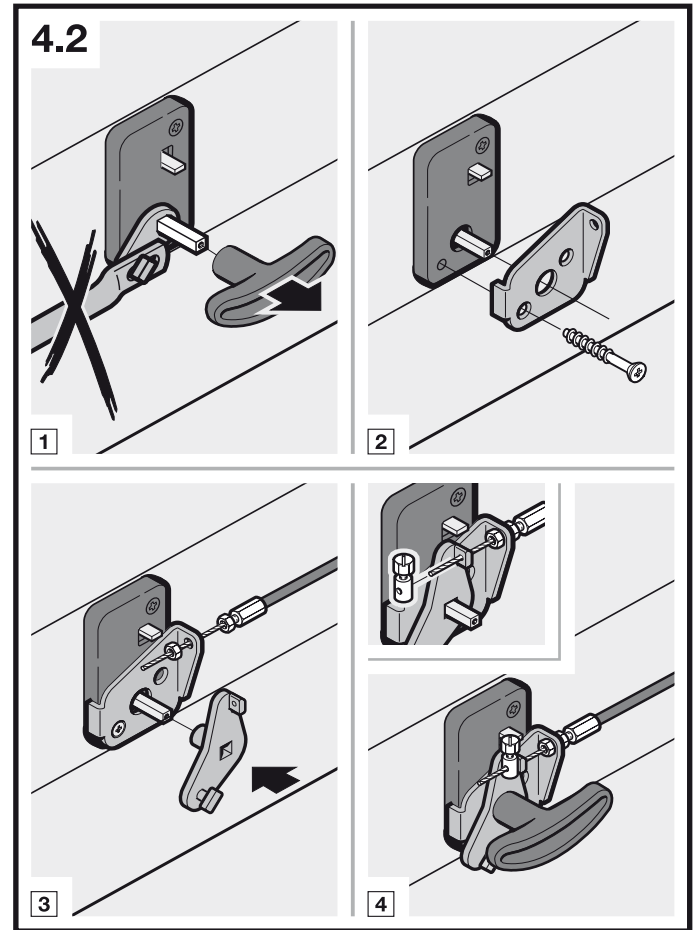
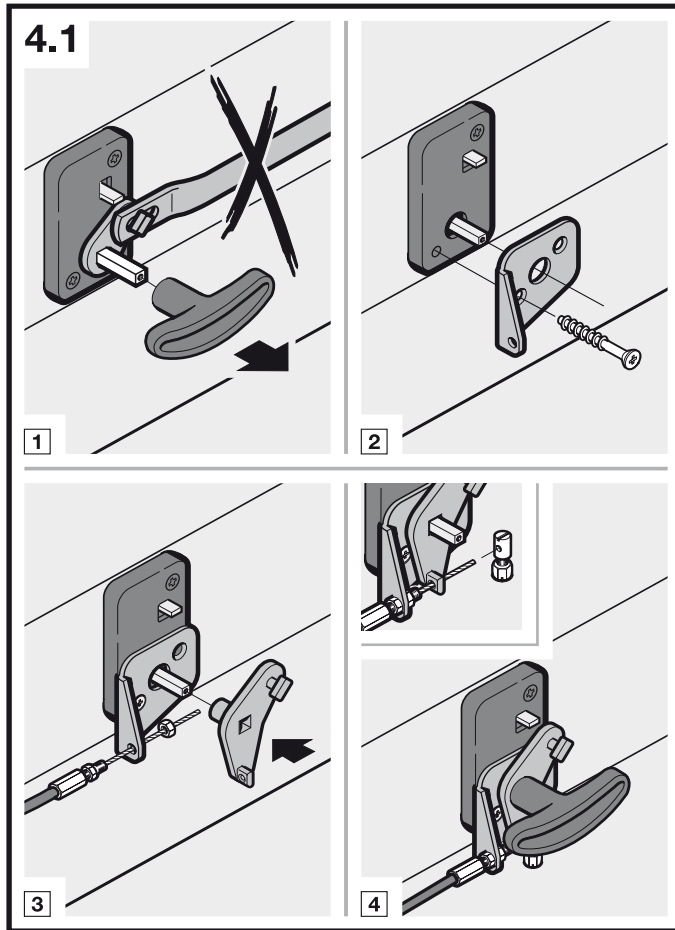


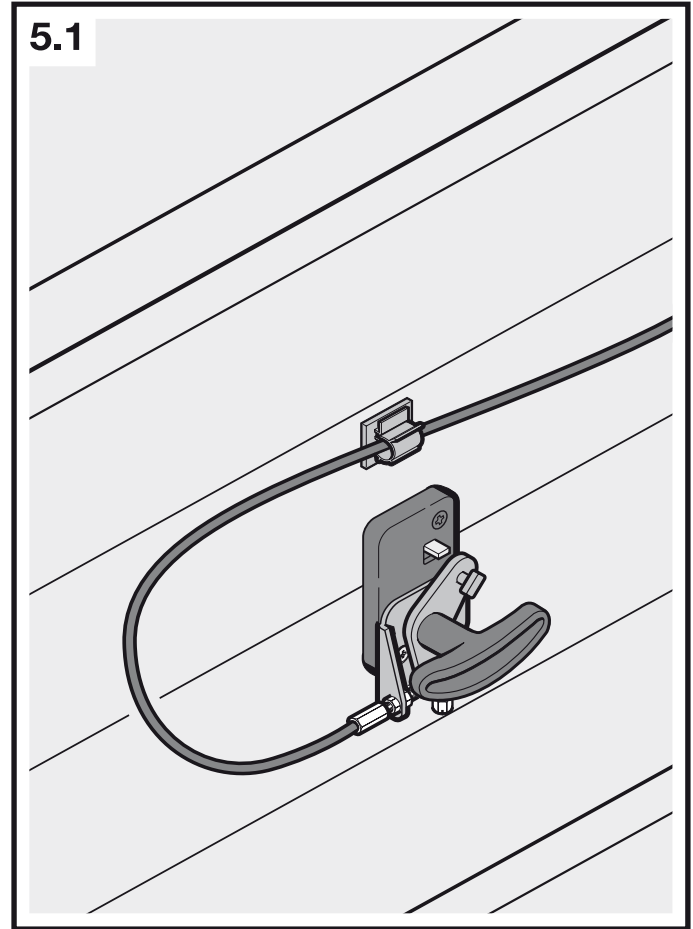
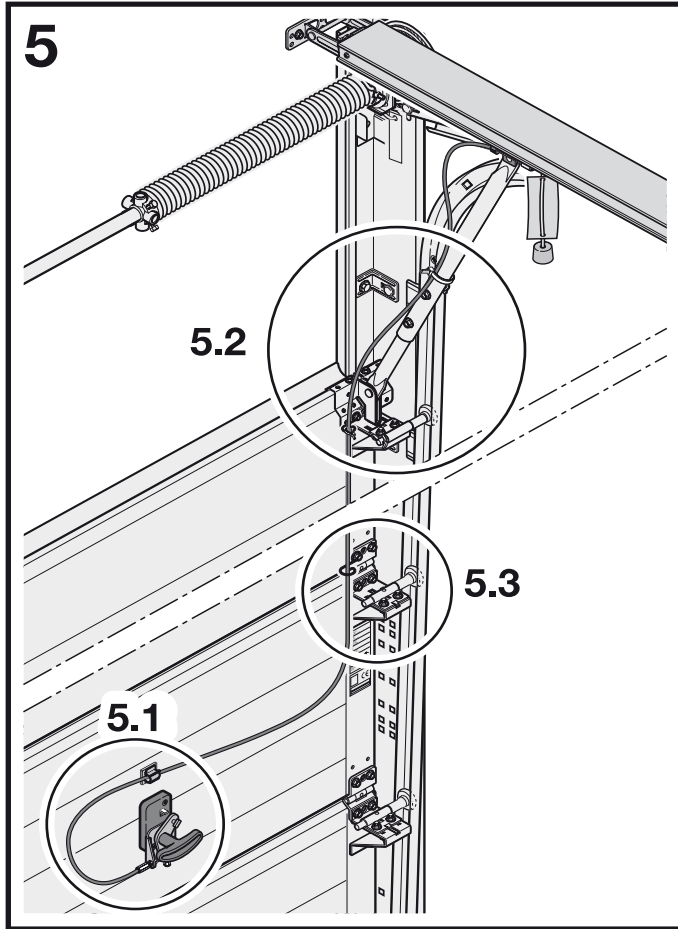


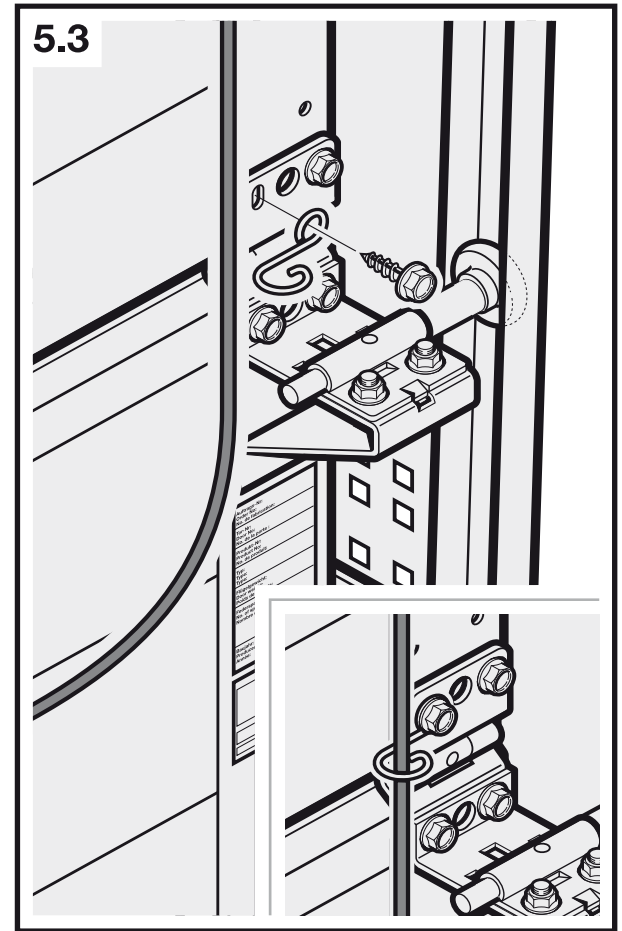
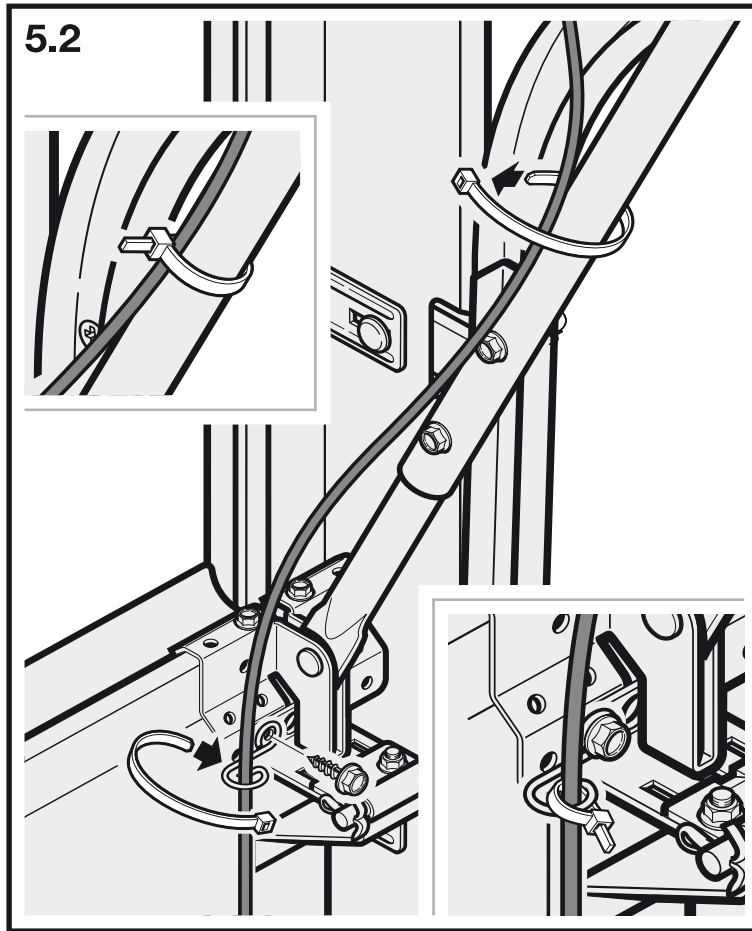


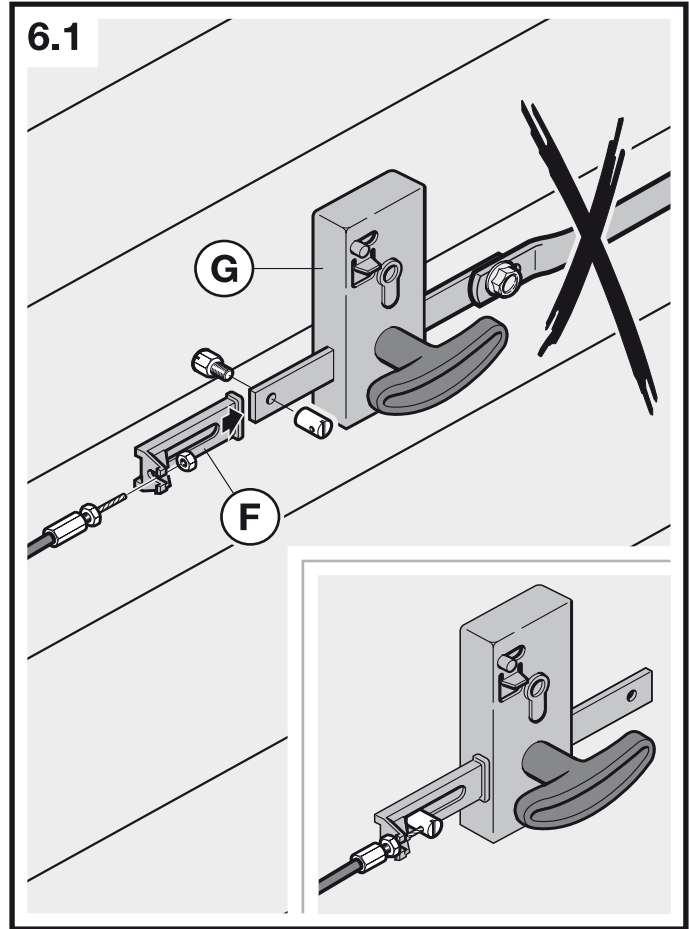
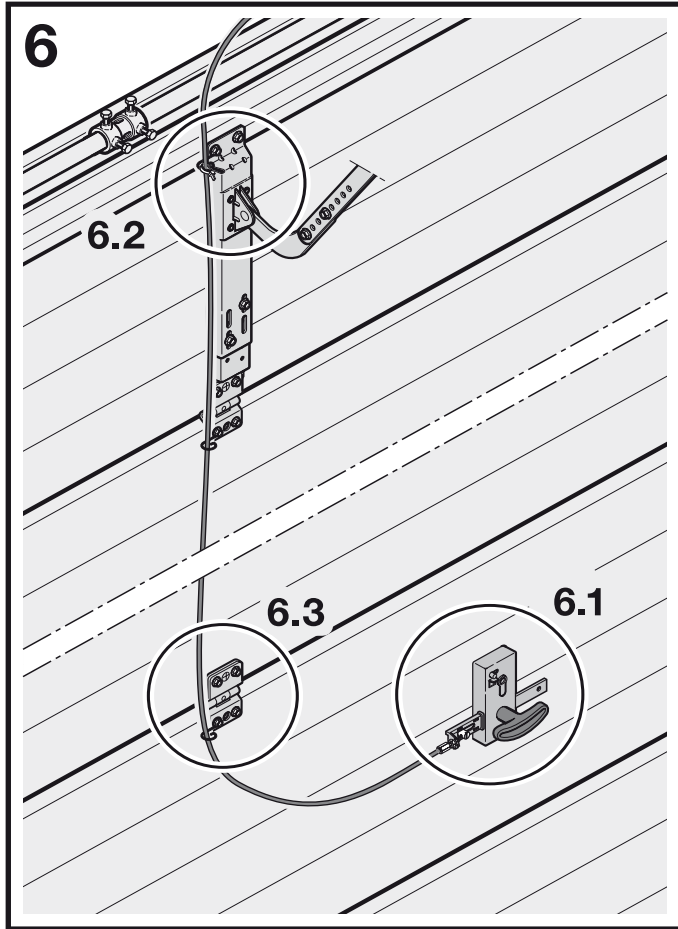




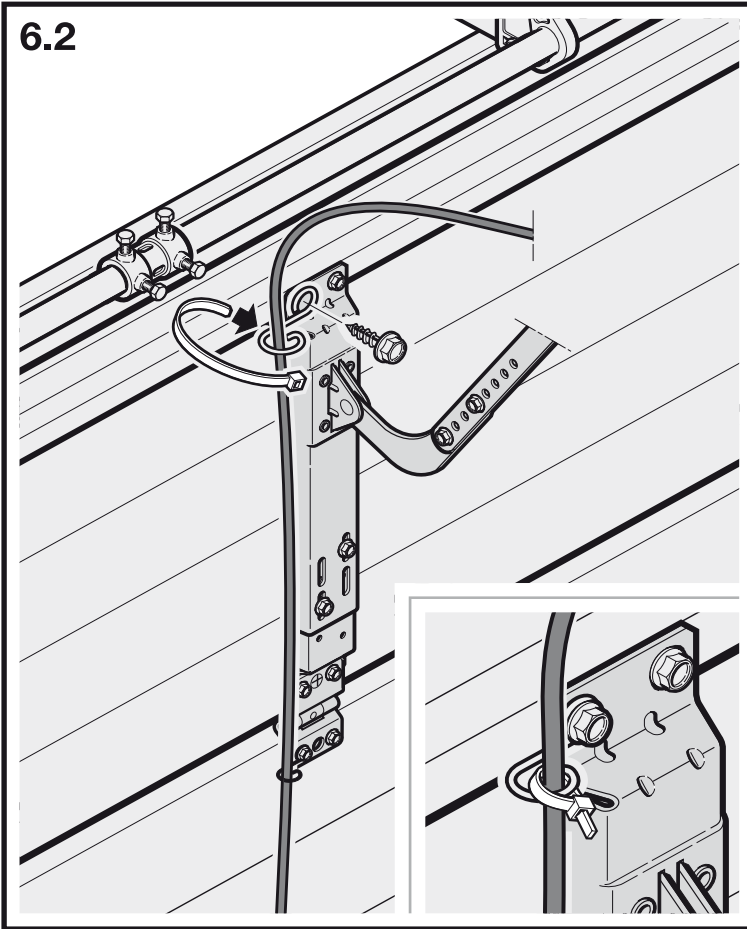








6.2



6.3

